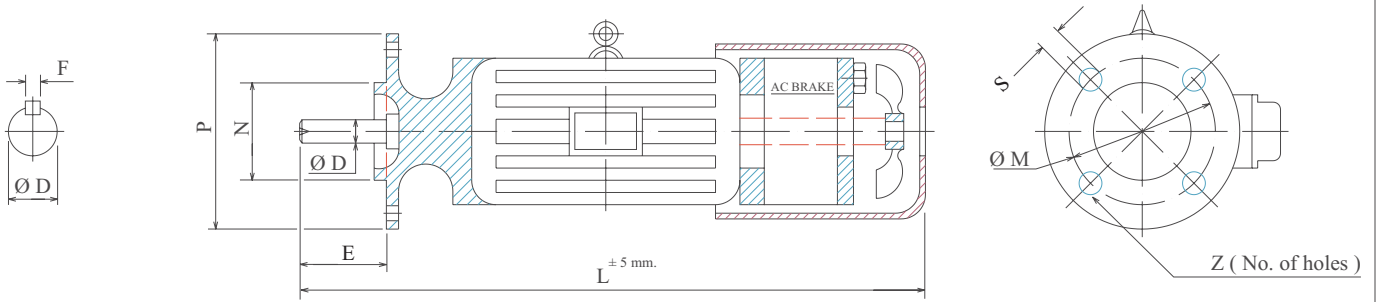


Flange Mounted Brakemotor AC Working



Frame size	P	N	M	E	D	F	S	Z	Brake Model	L
63	140	95	115	23	11	4	10	4	DAF-03	345
71	160	110	130	30	14	5	10	4	DAF-04	400
80	200	130	165	40	19	6	12	4	DAF-05	430
90S	200	130	165	50	24	8	12	4	DAF-05X	475
90L	200	130	165	50	24	8	12	4	DAF-05X	500
100L	250	180	215	60	28	8	15	4	DAF-19	505
112M	250	180	215	60	28	8	15	4	DAF-19X	545
132S	300	230	265	80	38	10	15	4	DAF-23X	615
132M	300	230	265	80	38	10	15	4	DAF-23X	655
160M	350	250	300	110	42	12	19	4	DAF-29X	790
160L	350	250	300	110	42	12	19	4	DAF-29X	840

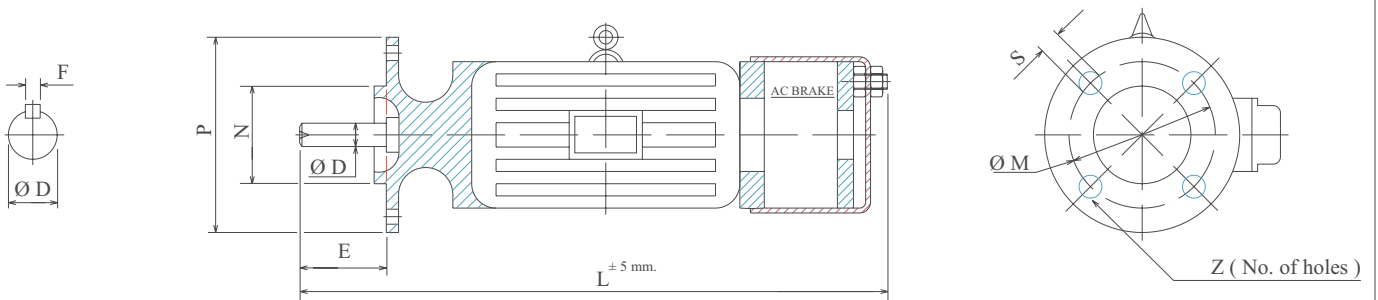
Note-1) Flange mounted motors as per IS:325 & IS:2223; AC Spring applied brake with cooling fan.
 2) All Dimensions are in mm.

Drg. No.- FMBM(B-5) / STD. / 2007 / 1005.



PETHE BRAKE MOTORS PVT. LTD. GUHAGAR- 415 703.

Flange Mounted TE Brakemotor AC Working



Frame size	P	N	M	E	D	F	S	Z	Brake Model	L
63	140	95	115	23	11	4	10	4	DAF-03	310
71	160	110	130	30	14	5	10	4	DAF-04	355
80	200	130	165	40	19	6	12	4	DAF-05	380
90S	200	130	165	50	24	8	12	4	DAF-05X	420
90L	200	130	165	50	24	8	12	4	DAF-05X	445
100L	250	180	215	60	28	8	15	4	DAF-19	460
112M	250	180	215	60	28	8	15	4	DAF-19X	490
132S	300	230	265	80	38	10	15	4	DAF-23X	555
132M	300	230	265	80	38	10	15	4	DAF-23X	590
160M	350	250	300	110	42	12	19	4	DAF-29X	705
160L	350	250	300	110	42	12	19	4	DAF-29X	750

Note-1) Flange mounted motors as per IS:325 & IS:2223; With AC Spring applied brake.
 2) All Dimensions are in mm.

Drg. No.- FMBM(B-5) / STD. / 2007 / 1007.



PETHE BRAKE MOTORS PVT. LTD. GUHAGAR- 415 703.