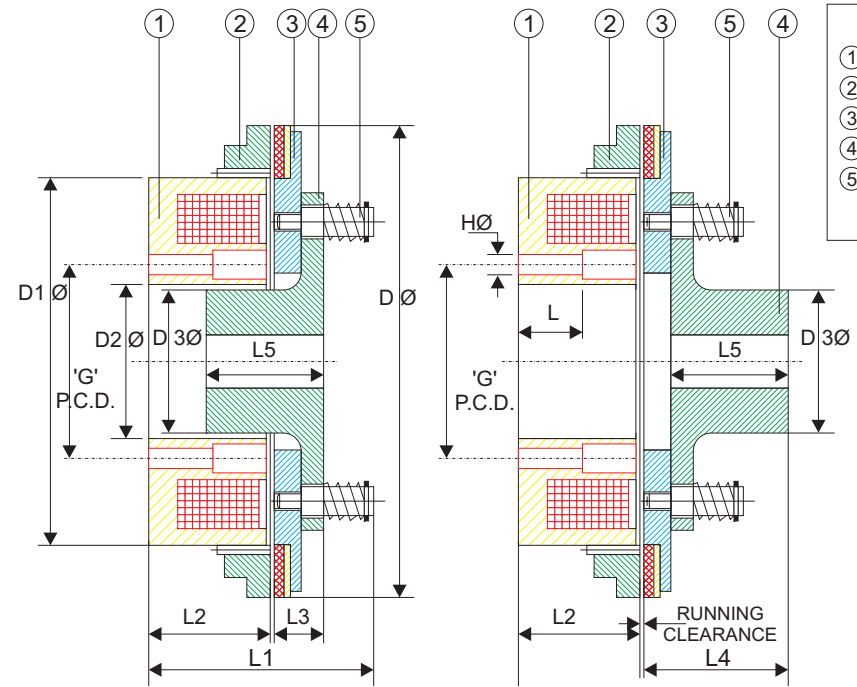


- PART LIST :**
- ① MAGNET BODY
 - ② SHIMS
 - ③ THRUST RING
 - ④ ARMATURE PLATE
 - ⑤ GEAR RING
 - ⑥ SPRING RETAINER
 - ⑦ GEAR

MODEL VISTAR	VOLTAGE	WATTS MAX	TORQUE KG. M.	Ø A	Ø B	Ø C	Ø D MAX	G	'H' P.C.O. X Ø HOLE X NO OFF	L1	L2	L3 MAX	AIR GAP MIN	AIR GAP MAX
365	110	125	65	365	135	127	70	4	152 X 13 X 6	67	86	185	0.3	0.8
420	110	132	100	420	160	140	80	4	180 X 13 X 6	77	118	226	0.3	0.8
480	110	145	160	480	180	150	85	4	198 X 13 X 6	95	138	268	0.5	1.0
545	110	265	250	545	195	180	100	8	220 X 22 X 8	110	160	313	0.5	1.0
635	110	290	400	635	240	216	120	8	270 X 26 X 8	135	160	348	0.5	1.0
740	110	344	630	740										
880	110	580	1000	880					ON REQUEST					

'VISTAR SERIES INTERNAL MOUNTING BRAKE



- PART LIST :**
- ① BRAKE BODY
 - ② THREADING RING
 - ③ ARMATURE PLATE
 - ④ BACK PLATE
 - ⑤ STUD WITH SPRING AND CIRCLIP

MODEL VISTAR	TORQUE KG.M.	WATTS AT 24 V.DC.	D Ø	D 1 Ø	D 2 Ø	D 3 Ø	'G' P.C.D.	H Ø X NO. OFF	ALLEN BOLT	L	L1	L2	L3	L4	L5
155	3	25	155	115	48	45	58	6.5 X 5	M 6	18	77	42	16	53	45
200	7	35	200	152	64	60	80	8.5 X 5	M 8	23	90	47	18	55	46
230	15	45	230	175	75	60	92	8.5 X 6	M 8	18	97	50	23	73	60
300	20	60	300	205	98	75	116	11 X 5	M 10	25	116	60	28	78	63
350	45	85	350	245	112	80	138	11 X 6	M 10	25	134	65	32	104	87
365	65	125	365	AS PER DRG. NO. 6A											

NOTE : 1) WE RESERVE OUR RIGHTS TO CHANGE ANY DIMENSIONS DUE TO CONSTANT DEVELOPMENT.